

Palmer Adjustable Desk

alphason



With more and improved research into healthy working patterns, it has become increasingly popular to alternate sitting and standing whilst working at your computer. The Palmer adjustable desk allows you to easily and quickly change desktop heights. Set in a beautiful gloss white frame with oak wrap, it is as stylish as it is functional.

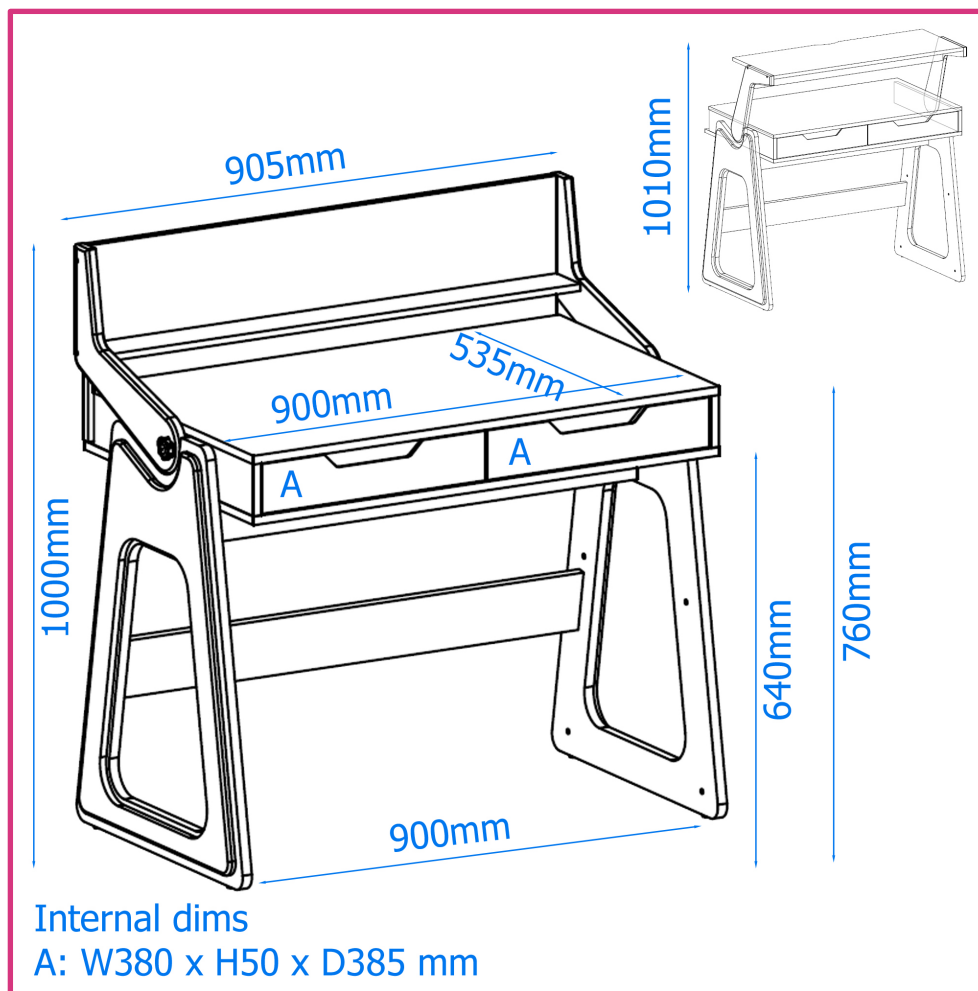
- Adjustable desktop - lowered for sitting, raised for standing
- Striking gloss white finish with complementing oak wrap
- Under desk storage
- Working area (mm): W 900 x D 535 mm



Palmer Adjustable Desk



AW3622 WHITE & OAK
EAN: 5060669117933



SPECIFYING

Table Top Height	(mm)	760 / 1010
Leg Clearance Width	(kg)	900
Number of Drawers	(hours)	1
Product Weight	(kg)	34
Dims: H 1010 x W 910 x D 540		(mm)

PACKAGING

Number of Boxes		1
Width	(mm)	1040
Height	(mm)	160
Depth	(mm)	670
Weight	(kg)	36